

General information and description

PTFE steel lined gaskets are made of pure PTFE with a core of perforated stainless steel. The stainless steel core has perforations with a 2 mm diameter on a 3.5 mm pitch. The core is completely enclosed by the PTFE.

The gasket surfaces each have two ridges 0.25 mm high x 1 mm wide positioned to coincide with the raised sealing faces of the flanges.

Applications

PTFE steel lined gaskets are especially used in process industries, as the gaskets do not cause media contamination. PTFE is an inert material permitting its unrestricted use in the food industry. The gaskets are virtually 100% chemically resistant, except to molten alkaline metals and fluorides at higher pressures and temperatures.

Technical data

- Virtually 100% chemically resistant.
- At low surface stresses sealing is achieved thanks to the raised ridges
- Excellent resistance to cold flow
- Gastight

Availability

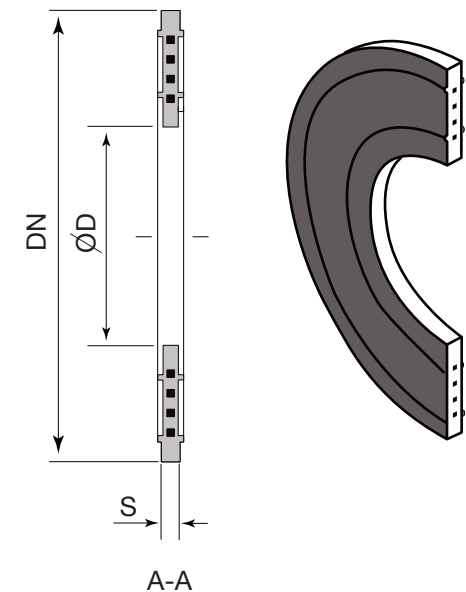
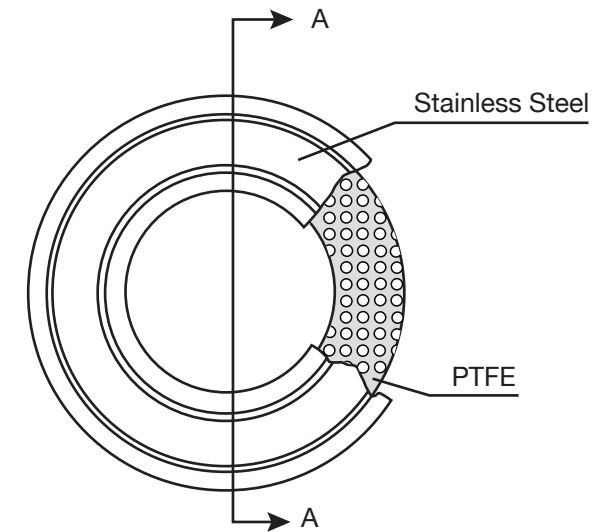
PTFE steel lined gaskets are supplied as standard in ASME class 150 & 300 and DIN PN 10 and 40 sizes (for dimensions see tables PTFE steel lined gaskets). Standard thicknesses 2.5mm. Other sizes available on request.

PTFE STEEL LINED GASKETS

Standard Sizes

DN	ØD	DIN 2690 - ØD			
		PN10	PN16	PN25	PN40
10	18	45	45	45	
15	22	50	50	50	
20	28	60	60	60	
25	35	70	70	70	
32	43	82	82	82	
40	49	92	92	92	
50	61	107	107	107	
65	77	127	127	127	
80	90	142	142	142	
100	115	162	162	168	168
125	141	192	192	195	195
150	169	218	218	225	225
200	220	273	273		292
250	274	328	330		353
300	325	378			418
350	368	438			
400	420	490			
450	470	540			
500	520	595			
600	620	695			

DN	ØD	ANSI - B - 16.21 - A	
		150"	300"
1/2"	21	45	53
3/4"	27	57	66
1"	33	66	73
1 1/4"	42	76	82
1 1/2"	48	85	95
2"	60	104	111
2 1/2"	73	123	130
3"	89	136	149
3 1/2"	102	161	165
4"	114	174	180
5"	141	196	215
6"	168	222	250
8"	219	279	307
10"	273	339	361
12"	324	409	422
14"	356	450	485
16"	406	514	539
18"	457	549	
20"	508	606	
22"	559	660	
24"	610	717	



Waranty exclusion

In view of the variety of different installation and operation conditions as well as application and process engineering options, the information given in this datasheet can only provide approximate guidance and cannot be used as basis for warranty claims.